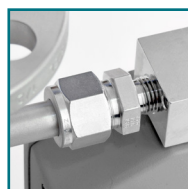


All 316L stainless steel construction makes this meter suitable for low-flow, high-pressure applications.



**Flange
Connections
Now
Available!**



Threaded connection for easy meter replacement.

DESCRIPTION

Metering Tube	316L SS
Internal Components	316L SS, Hastelloy® C-276
Case and Side Cover	Die-cast Aluminum / Powder Coated with Chemfilm base (RoHS Compliant)
Fitting Material / Type	316L SS ¼" FNPT, horizontal
Scale Cover	304 SS frame Annealed glass window
O-Ring	EPR, Buna N, Kalrez®

PERFORMANCE

Flow Capacities	Water	0.6 to 25 GPH (2.4 to 95 LPH)
	Air	1 to 120 SCFH (28.3 to 3,400 SLPH)

Accuracy ± 5% of full scale flow

Repeatability 1 %

Turndown 10:1

Ambient Temperature -40°F to 125°F (-40°C to 52°C)

Maximum Temperature	O-Ring	Maximum Temperature
	EPR	300° F (149° C)
	Buna N	275° F (135° C)
	Viton	350° F (177° C)
	Kalrez	400° F (204° C)
	No O-ring	400° F (204° C)

FNPT Connection Pressure Valve models — 1,500 psig
Non-valve models — 4,000 psig

Flange Connection Pressure	Temp F	150#	300#
	200°	225 psi	600 psi
	300°	200 psi	540 psi
	400°	180 psi	515 psi

OPTIONS

Alarm	Single, Inductive Slot Sensor
Certified Calibrations	ISA RP 16.6
Control Valves	Inlet and outlet
CRNs	All Canadian provinces
Rear Mounting Bracket	304 SS
Scales	Any volumetric unit

ALARM OPTIONS:



Inductive Slot Sensor

The alarm mechanism in this flowmeter is an inductive slot sensor. It is a 2-wire, DC, low current device designed to be used with a switch isolator / barrier.

The operating temperature range for this sensor is -13°F to 158°F (-25°C to 70°C).

Note: We can supply the isolator / barrier upon request, but the user must provide the power supply voltage.

7100 with Inductive Slot Sensor

7100 Series

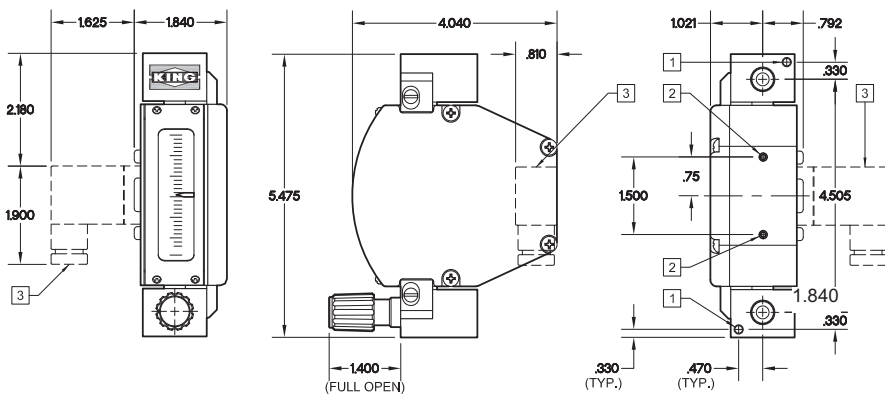
Stainless Steel Tube

Order Number	Full Scale Flow Water GPH	Full Scale Flow Water LPH
02W	.6	2.4
04W	1.2	4.5
06W	2.8	10.5
08W	5.5	20
10W	12	45
12W	25	95

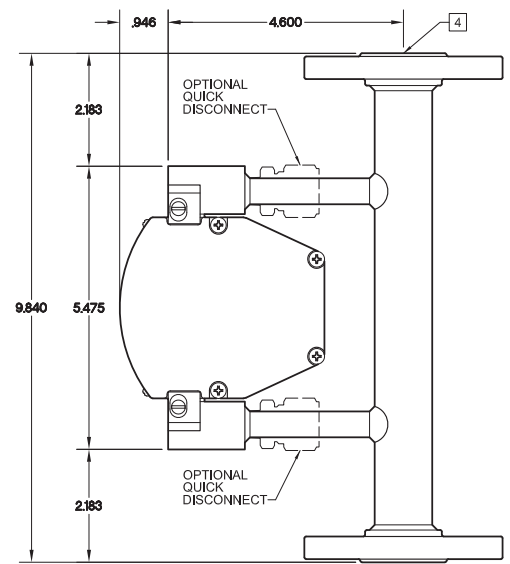
Order Number	Full Scale Flow Air SCFH	Full Scale Flow Air SLPH
00A*	1.0	28.3
01A	2.5	70
03A	5.5	155
05A	13	360
07A	24	680
09A	55	1550
11A	120	3400

* This meter has a titanium float

DIMENSIONS (INCHES)



- 1 10-32 THREADED PANEL MOUNTING HOLES (2 PLACES)
- 2 10-32 THREADED HOLE FOR OPTIONAL MOUNTING BRACKET (2 PLACES)
- 3 OPTIONAL ALARM CONNECTION (BACKSIDE OF CASE)
- 4 FLANGE CONNECTION (1/2" / 1" - 150# FLANGES / QUICK DISCONNECT OPTIONAL)



29 Riel Drive, St. Albert, AB., Canada T8N3Z2
 Ph: 780-459-7080 • Fax: 780-459-7085
 Toll Free: 1-800-661-8823
www.muiscontrols.com • info@muiscntrls.com

ORDERING:

Use the following guide to determine the specific product number you require.

Meter Series	Material of Construction	O-ring Material	Scale	Valve Options	Optional Alarm	Order Number	Flange Options
7 1 0	316L SS - 1	No O-ring* - 0	Millimeter - 1	Inlet 316L SS - 1	No Alarm - 0	See Spec.	1/2" 150# RF Flange Welded
	HST® C-276 - 2	EPR - 1	GPH Water - 2	Outlet 316L SS - 2	With Alarm - A	table above	1" 150# RF Flange Welded
		Buna-N - 2	LPH Water - 3	No Valve - 3			1/2" 300# RF Flange Welded
		Viton® - 3	SCFH Air@STP - 4	Inlet HST® C-276 - 4			1" 300# RF Flange Welded
		Kalrez® - 4	SLPH Air@STP - 5	Outlet HST® C-276 - 5			1/2" 150# RF Flange Quick Connect
			Non standard - 6				1" 150# RF Flange Quick Connect
							1/2" 300# RF Flange Quick Connect
							1" 300# RF Flange Quick Connect
							1" 300# RF Flange Quick Connect

* The No O-ring option is for non-valve meters only