

The KYTOLA® Variable Area Flow Meter Model L is a sturdy industrial acrylic flow meter.

Model L is a reliable instrument for measuring and monitoring liquid and gas flows.



- For liquid or gas
  - Several flow ranges
  - Scales for alternative gases and liquids
  - Clear, easy-to-read scale
  - Minimum Temperature\*: -20°C. (Viton® Seals)
  - Minimum Temperature\*: -40°C. (Nitrile Seals)
  - Minimum Temperature\*: -50°C. (EPDM Seals)
- \* Min. Temp. rating for non-freezing media only.

ISO 9001:2008 ISO 14001:2004

Oo

**.....CRN k-8@U-KED****FEATURES**

Plastic flow tube with stainless steel connections

Flow adjustment valve

CRN registered 0F10611 AB, BC, NB, ON

Acrylic or Grilamid body

**TYPICAL APPLICATIONS**

Gas and water purging

Liquid and gas flow measurements

Sealing liquid monitoring

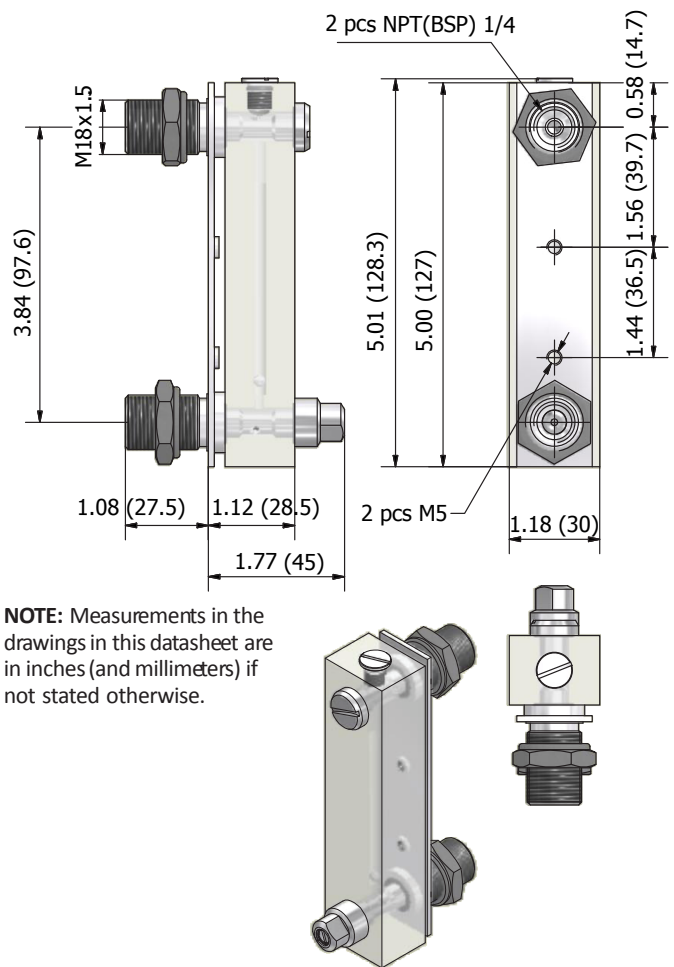
**OPTIONS**

Viton® or EPDM seals

Custom calibration/special scale

Model	LH	LR
Max. pressure	239 psi (16 bar) (Maximum Temperature)	239 psi (16 bar) (Maximum Temperature)
Max. temperature	167°F (75°C)	176°F (80°C)
Body	Acrylic (PMMA)	Grilamid (PA-12)
Valve	AISI 316	
Float (by range code)	4K/5K: Borosilicate Glass; 4A/5A: Sapphire; 4C/5C: Tungsten; 4B/5B/8_: AISI 316	
Seals	Nitrile (Optional: Viton®, EPDM)	
Connections	1/4" FNPT, AISI 316	
Accuracy	± 10% F.S. H <sub>2</sub> O, 70°F (20°C)	
Weight	10.6 oz (300 g)	

Flow Tube Material					
Acrylic					H
Grilamid					R
Flow Range **mL/min					
H <sub>2</sub> O USGPH	H <sub>2</sub> O L/min	Air SCFH	Air NL/min		
0.05–0.30	2–18**	0.2–2	0.1–0.9	<b>4K*</b>	
0.05–0.45	2.5–30**	0.4–2.8	0.1–1.2	<b>4A*</b>	
0.1–0.9	5–55**	0.75–4	0.2–1.8	<b>4B*</b>	
0.2–1.3	15–80**	1.5–6	0.5–2.5	<b>4C*</b>	
0.2–2.0	0.01–0.13	1–14	0.5–6	<b>5K</b>	
0.2–3.6	0.01–0.2	1–16	0.5–7	<b>5A</b>	
0.5–5.5	0.025–0.3	2–24	1–10	<b>5B</b>	
1–8.5	0.05–0.5	4–32	2–14	<b>5C</b>	
2–12	0.1–0.75	7.5–45	3–20	<b>8T</b>	
2–17	0.1–1	10–70	5–30	<b>8M</b>	
4–26	0.2–1.6	20–120	10–50	<b>8P</b>	
2.5–40	0.2–2.6	20–190	10–85	<b>8S</b>	
10–50	0.5–3	40–240	15–110	<b>8R</b>	
Scale					
H <sub>2</sub> O L/min (20°C) (**mL/min for 4K...4C)					A
H <sub>2</sub> O USGPH (70°F)					N
Air NL/min (20°C/101.3 kPa)					R
Air SCFH (70°F, 14.7 psia)					V
Dual scale USGPH H <sub>2</sub> O and SCFH air					L
Dual scale L/min H <sub>2</sub> O and NL/min air					M
10-100%					I
Special Feature					
Hand knob in valve					H
Alternate valve location (outlet)					E
Viton® seals					V
EPDM seals					Y



\* = Accuracy not guaranteed

**Kytola**  
INSTRUMENTS

Represented by:  
**Muis Controls Ltd.**  
 29 Riel Drive, St. Albert, AB, Canada, T8N 3Z2  
 Tel: 1 800 661 8823 / 780 459 7080  
 E-mail: Sales@MuisControls.com  
 Web: www.MuisControls.com