

General Information

Ruby bearings and non-drag pickoff give these adjustable insertion flow sensors the widest flow range of any of the paddlewheel types. A sensor detects the passage of miniature magnets in the six rotor blades. The resulting square-wave signal can be sent for hundreds of feet without a transmitter, over unshielded cable. This signal can be connected directly to many PLC's and other controls without any additional electronics.

Installation fittings are standard 1½" NPT. A depth adjustment systems allows two basic sizes to cover pipe sizes from 3" to 48". Fittings such as saddles and weld-o-lets may be purchased locally, and are also available from Muis Controls.

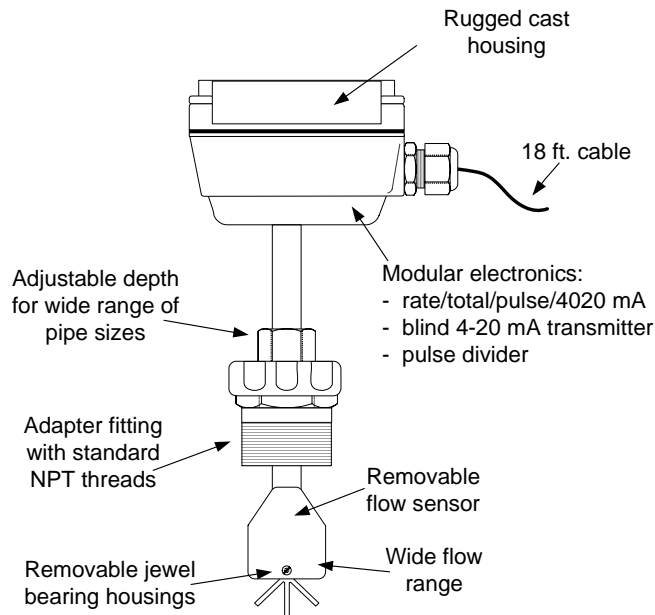
A modular system of electronics can be installed directly on the flow sensor, in a splash-proof cast housing. The FT415/420 provide digital rate and total display, as well as programmable pulse. The FT420 also provides a 4-20 mA analog output. The AO55 is a blind analog transmitter. Programmable pulse for pump pacing comes from the PD10. Each of these controls is also available in a wall mount housing.



Specifications

Sensor	
Hall Effect Sensor	12 VDC current sinking pulse
Materials	
Sensor	Brass, 316 SS
Rotor	PVDF
Shaft	Nickel-bound tungsten carbide, or Zirconia ceramic optional
Bearings	Ruby Jewel
Range	0.3 - 30 FPS (0.1 - 9 M/s)
Accuracy	±1½% FS
Maximum Pressure	
Brass, SS	200 psi (14 bar)
Maximum Temperature	
Brass, SS	200°F (93°C)
Fitting Size	
Brass, SS	1½" NPT
Power	5-24 VDC, 1.5 mA
Nominal K-Factor	11 Hz/FPS (3.6 Hz/M/s)
Cable	#22 AWG 3-con, 18' (6m)
Maximum Cable Run	2,000' (650 m)

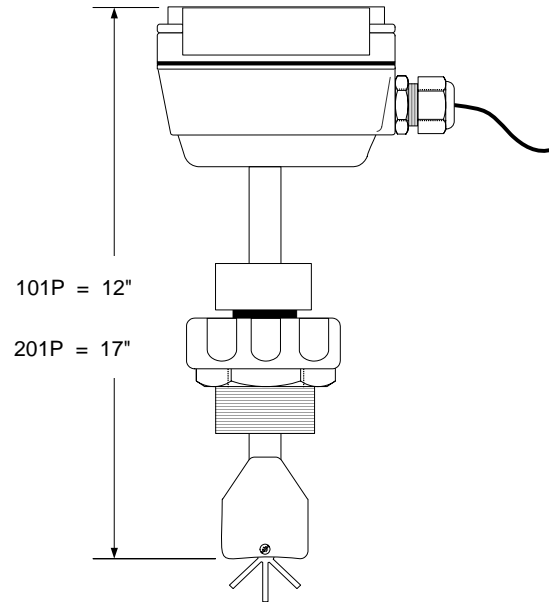
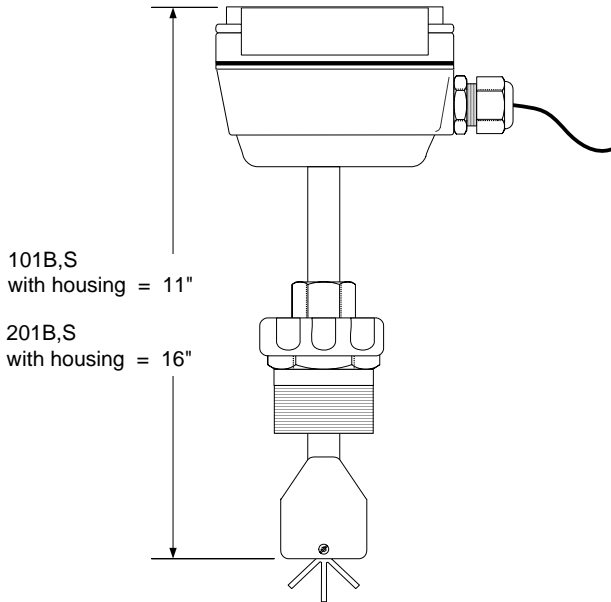
Features



Muis Controls Ltd. - Flow Meters - Flow Controls

10610 - 172 Street, Edmonton, AB, Canada T5S 1H8
 Ph +1-780-486-2400 Fx +1-780-486-2500 Toll Free 1-800-661-8823
www.muiscontrols.com info@muisccontrols.com

Dimensions



Flow Range (USGPM)

Pipe Size	Min Flow	Max Flow
3"	7	700
4"	12	1,100
6"	30	2,500
8"	50	4,500
10"	75	7,000
12"	100	10,000
16"	175	16,000
24"	400	35,000

How To Order

Material Code: B-Brass, S=316 SS

Option Code

IP101 _____ - _____

IP201 _____ - _____

Option Codes:

- 01 Ceramic shaft
- 03 Bidirectional flow (Hall-Effect only)
- 04 Micro Power Sensor

Also Available from Muis Controls



**Series 7710
Metal Tube
Rotameters**



**Series 1400/1500
Sight Flow
Indicators**

**Series V4 Paddle
Flow Switches**



**Series 7510/11
Acrylic
Rotameters**



Muis Controls Ltd. - Flow Meters - Flow Controls

10610 - 172 Street, Edmonton, AB, Canada T5S 1H8
 Ph +1-780-486-2400 Fx +1-780-486-2500 Toll Free 1-800-661-8823
 www.muiscontrols.com info@muiscontrols.com