

Model Number Chart

See Example Below



**Panel Mount
Acrylic Rotameters**

75	Base Model Number					
	Code	Block Code				
	20	Panel mount without valve				
	30	Panel mount with valve				
	Code	Fitting Material				
	1	Brass				
	2	PVC (not to be used for compressed gas service)				
	3	316 Stainless Steel				
	Code	O-Ring Material				
	1	EPDM				
	2	Buna-N				
	3	Viton				
	A	Aflas				
	Code	Valve Material				
	0	Without Valve				
	1	Brass Valve				
	2	316 Stainless Steel Valve				
	Code	Range Code from Tables on Page 2				
75	30	3	3	2	7C-08	◀ Typical Model Number

Features

- All meter blocks are precision CNC machined from solid cast Acrylic stock (Cast material is the most durable of all Acrylic resins).
- Direct reading scales for Water or Air are standard. Special scales corrected for specific gravity, pressure and temperature are available at no extra cost.
- A uniform white back on all 7500 Series meters enhances scale readability.
- Factory certified calibration is available (Conforms to ISA RP 16.6).
- Scale lengths are 2", 3", 4", 5" or 10" depending on flow range code (see page 2).
- Nut or stud type fasteners are provided for panel mounting.
- Plumbing fittings are not flush but extend through the panel or bulkhead making for easy connection inside the panel.
- 40 Pitch threads on all 7530 valve models provides excellent flow control even in low flow, low pressure service.
- Three piece valve design means valve stem (plug piece) is captive. Stems cannot be accidentally backed out of meter body. This is an important safety feature and should be considered when choosing a meter with a flow control valve.

Materials of Construction

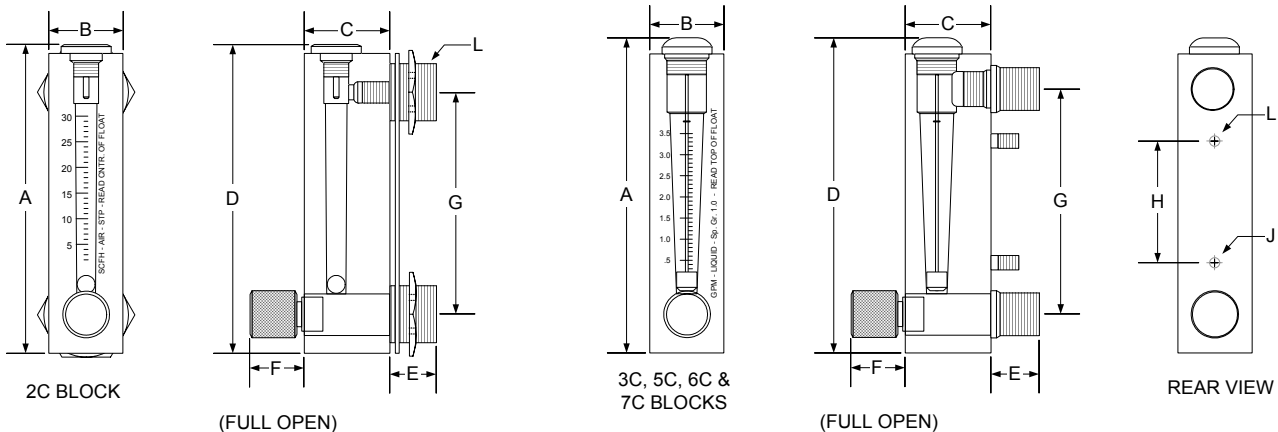
Part	Standard	Optional
Meter Tube	Cast Acrylic	-
Fittings	PVC	Brass, 316 SS
O-Rings	Viton	EPDM, Buna-N, Aflas

Maximum Pressure and Temperature

Application	Max. Press.	Max. Temp.
Water (All Sizes)	125 PSIG @ 70°F	130°F @ 0 PSIG
Air (All Sizes)	100 PSIG @ 70°F	100°F @ 0 PSIG

PVC fittings are not to be used for compressed gas service

Dimensions



Muis Controls Ltd. - Flow Meters - Flow Controls

10610 - 172 Street, Edmonton, AB, Canada T5S 1H8

Ph +1-780-486-2400 Fx +1-780-486-2500 Toll Free 1-800-661-8823

www.muiscontrols.com info@muiscontrols.com

Flow Ranges and Dimensions

Range Code	Flow Range H ₂ O (70°F)	Flow Range Air (STP)	Accuracy Full Scale	Scale Length	A	B	C	D	E	F	G	H	J Panel Stud	L Connection												
2C-01	-	2.6 SCFH	6%	2"	4 1/8"	1"	1 1/4"	4"	1/2"	1 1/8"	3"	-	N/A	Brass or St St only 1/4" FNPT (1 1/16" Ø)												
2C-02	7 USGPH	-																								
2C-03	-	5 SCFH																								
2C-04	12 USGPH	-																								
2C-05	-	10 SCFH																								
2C-06	22 USGPH	-																								
2C-07	-	20 SCFH																								
2C-08	44 USGPH	-																								
2C-09	-	30 SCFH																								
2C-10	60 USGPH	-																								
2C-11	-	60 SCFH																								
2C-12	75 USGPH	-																								
2C-13	-	100 SCFH																								
2C-15	-	180 SCFH																								
2C-17	-	4 SCFM																								
<i>PVC Fittings Not Available on 2C Block</i>																										
3C-01	-	4 SCFM													4%	3"	6 13/16"	1 1/4"	1 3/8"	6 5/8"	1"	1 1/4"	5"	3"	1/4 - 20	Dual Connection 1/2" MNPT and 1/4" FNPT (1" Ø)
3C-02	1 USGPM	-																								
3C-03	-	8 SCFM																								
3C-04	2 USGPM	-																								
3C-05	-	15 SCFM																								
3C-06	3.5 USGPM	-																								
3C-07	-	25 SCFM																								
3C-08	5 USGPM	-																								
<i>All Flow Meter Ranges are Available in Any Engineering Unit Corrected for Specific Gravity, Pressure and Temperature at No Extra Cost</i>																										
5C-10	10 USGPH	-	3%	5"	8 3/8"	1 1/4"	1 3/8"	8 1/4"	1"	1 1/4"	6 7/16"	3 15/16"	1/4 - 20	Dual Connection 1/2" MNPT and 1/4" FNPT (1" Ø)												
5C-11	-	42 SCFH																								
5C-12	20 USGPH	-																								
5C-13	-	100 SCFH																								
5C-14	40 USGPH	-																								
5C-15	-	175 SCFH																								
5C-01	-	4 SCFM																								
5C-02	1 USGPM	-																								
5C-03	-	6.8 SCFM																								
5C-04	100 USGPH	-																								
5C-05	-	8.2 SCFM																								
5C-06	2 USGPM	-																								
5C-07	-	22 SCFM																								
5C-08	5 USGPM	-																								
6C-01	-	40 SCFM													4%	4"	9 1/8"	1 3/4"	1 13/16"	8 7/8"	1 1/4"	1 7/8"	6 1/2"	4"	1/4 - 20	1" MNPT (1 3/8" Ø)
6C-02	10 USGPM	-																								
6C-03	-	60 SCFM																								
6C-04	15 USGPM	-																								
6C-06	20 USGPM	-	7%																							
7C-01	-	8 SCFM	2%	10"	14 1/2"	1 3/4"	1 13/16"	14 1/4"	3/4"	1 7/8"	12 1/4"	8 3/4"	3/8 - 24	1/2" FNPT (1 1/4" Ø)												
7C-02	2 USGPM	-																								
7C-03	-	14.4 SCFM																								
7C-04	3.5 USGPM	-																								
7C-05	-	20 SCFM																								
7C-06	5 USGPM	-																								
7C-07	-	42 SCFM																								
7C-08	10 USGPM	-																								

Muis Controls Ltd. - Flow Meters - Flow Controls

10610 - 172 Street, Edmonton, AB, Canada T5S 1H8
 Ph +1-780-486-2400 Fx +1-780-486-2500 Toll Free 1-800-661-8823
 www.muiscontrols.com info@muiscontrols.com