

## Model Number Chart

See Example Below



*Panel Mount Acrylic Rotameters*

<b>FR</b>	<b>Base Model Number</b>	
<b>Code</b>	<b>Flow Range (from table below)</b>	<b>A = Air L = Water</b>
<b>Code</b>	<b>Fitting / Valve Material</b>	
B	Brass	
S	Stainless Steel	
<b>Code</b>	<b>Needle Valve</b>	
N	No Valve	
V	Inlet Valve	
<b>Code</b>	<b>O-Ring Material</b>	
BN	Buna-N (standard with brass)	
VT	Viton (standard with stainless steel)	

FR    4L50    S    V    VT    ◀ Typical Model Number

## Features

- Durable solid one-piece clear acrylic construction
- Threaded brass inserts (10 - 32) for easy surface or panel mounting
- Clear, easy to read scales
- Superior valve design - valve stem cannot be backed out of valve body

## Materials of Construction

Part	Standard	Optional
Meter Tube (Body)	Clear Polished Acrylic	
Fittings	Brass	Stainless Steel
Valves	Brass	Stainless Steel
O-Rings	Buna-N	Viton
Floats	Black Glass, Stainless Steel	

## Maximum Pressure and Temperature

Maximum Pressure	Maximum Temperature
100 PSIG @ 70°F	150°F @ 0 PSIG

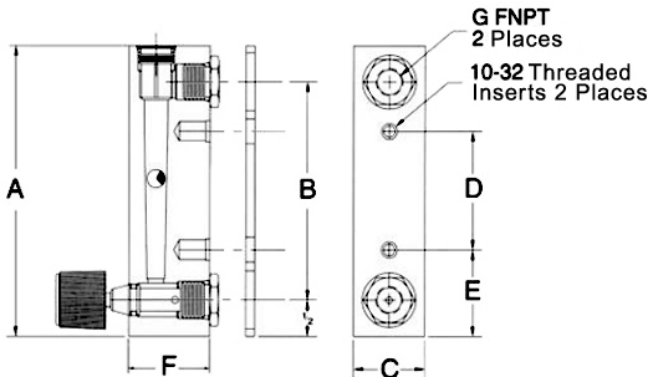
Scale Length  
Accuracy

3½" to 4"  
+/-3% of Full Scale

## Flow Ranges

Range Code	Flow Rate H <sub>2</sub> O (70°F)	Dim Code	Range Code	Flow Rate Air (STP)	Dim Code
<b>CCM of Water</b>			<b>SCFH of Air</b>		
4L38	4 - 50	1	4A30	.4 - 5	1
4L56	10 - 120	1	4A31	1 - 10	1
4L51	25 - 225	1	4A32	2 - 20	1
4L50	40 - 400	1	4A33	4 - 40	1
4L52	40 - 660	1	4A34	10 - 100	1
4L53	100 - 1500	1	4A35	14 - 150	1
4L54	200 - 3000	1	4A36	20 - 200	1
4L55	300 - 3700	1	<b>CCM of Air</b>		
<b>USGPH of Water</b>			4A39	100 - 1000	1
4L45	1 - 10	1	<b>SLPM of Air</b>		
4L48	2 - 25	1	4A40	.4 - 5	1
4L49	4 - 50	1	4A41	1 - 10	1
4L46	6 - 60	1	4A42	2 - 20	1
<b>USGPM of Water</b>			4A43	3 - 30	1
4L64	.2 - 2.5	2	4A44	4 - 50	1
4L66	.4 - 5	2	4A47	10 - 100	1
<b>LPM of Water</b>			<b>SLPM of Air</b>		
4L69	.8 - 9	2	4A72	14 - 140	2
4L71	1.5 - 20	2	4A70	30 - 280	2
			4A73*	60 - 560	2
			<b>SCFM of Air</b>		
			4A37	.3 - 3	1
			4A67	.5 - 5	2
			4A65	1 - 10	2
			4A68*	1 - 20	2

\* Minimum Supply Pressure with valve is 10 PSI



## Dimensions

Dim Codes	A	B	C	D	E	F	G
1	6½"	5½"	1⅜"	3½"	1½"	1⅜"	⅜" FNPT
2	6⅝"	5½"	1⅜"	3½"	1½"	1⅜"	¼" FNPT

*Also Available from Muis Controls*



*Battery Powered Turbine Flow Meters*



*FR2000 Series Acrylic Rotameters with 2" Scale*



*Sight Flow Indicators*

**Muis Controls Ltd. - Flow Meters - Flow Controls**

29 Riel Drive, St. Albert, AB, Canada T8N 5C6  
Ph +1-780-459-7080 Fx +1-780-459-7085 Toll Free 1-800-661-8823  
www.muiscontrols.com info@muiscontrols.com