

FT415 Flow Computer Specifications



Specifications

Display		
Rate	6-digit autorange, 1/2"	character height
Total	8-digit, 5/16"	character height
Pulse Output	0.1 second open collector pulse	
Input	Micro-power GMR sensor (square wave)	
Input Range	Minimum: 20 mV peak-peak	Maximum: 6V peak-peak
K-factor Range	0.050 - 999999.9	
Pulse Output Range	0.1 - 200,000 units/pulse	
Battery Type	Lithium "C", 3V, replaceable	
Normal Battery Life	3-5 years	
Temperature	0° C - 70° C	
Environmental	NEMA 4X	

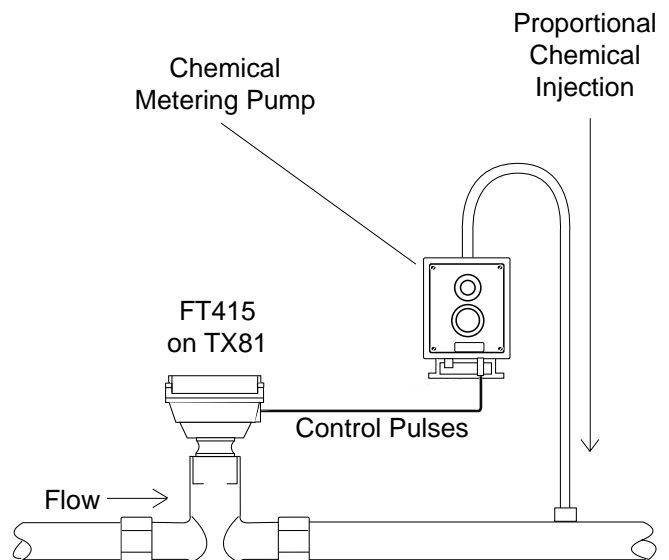
General Information

The FT415 is a microcontroller-based rate/total indicator powered by a lithium battery. It displays rate and total, and provides a programmable pulse output for use in metering pump pacing or datalogging.

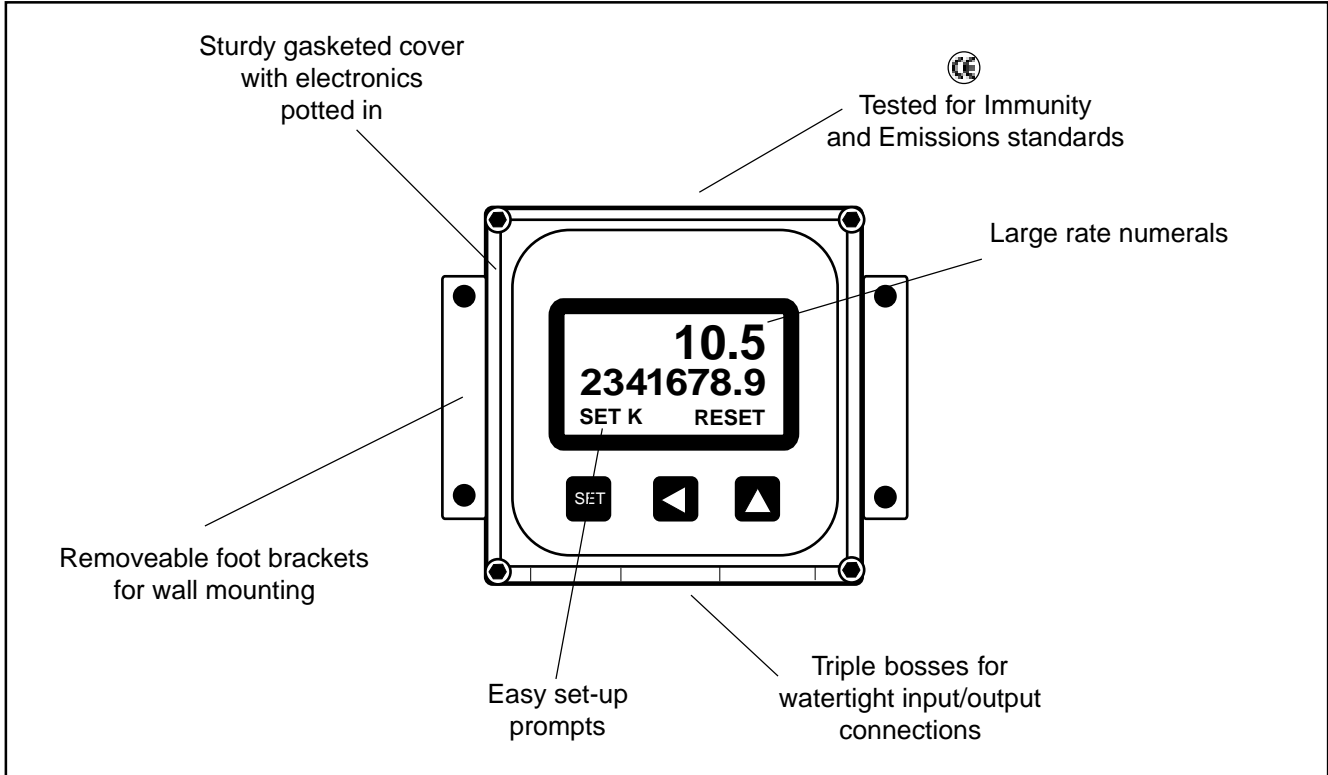
The rugged cast-aluminum housing is gasketed for maximum environmental protection, and the electronics are potted into a solid block of urethane. A membrane keypad allows settings to be changed without removing the cover. The wall mount version comes with brackets for wall mounting, and a kit (MK10) is available for field installation on TX80-series flow sensors. The FT415 can also be factory or field installed on a TX100/200 series sensor or WT meter. (Micropower sensors are required to prolong battery life.)

The standard output is a programmable 0.1 second open-collector transistor (TTL) pulse which can be used to trigger most externally-paced metering pumps.

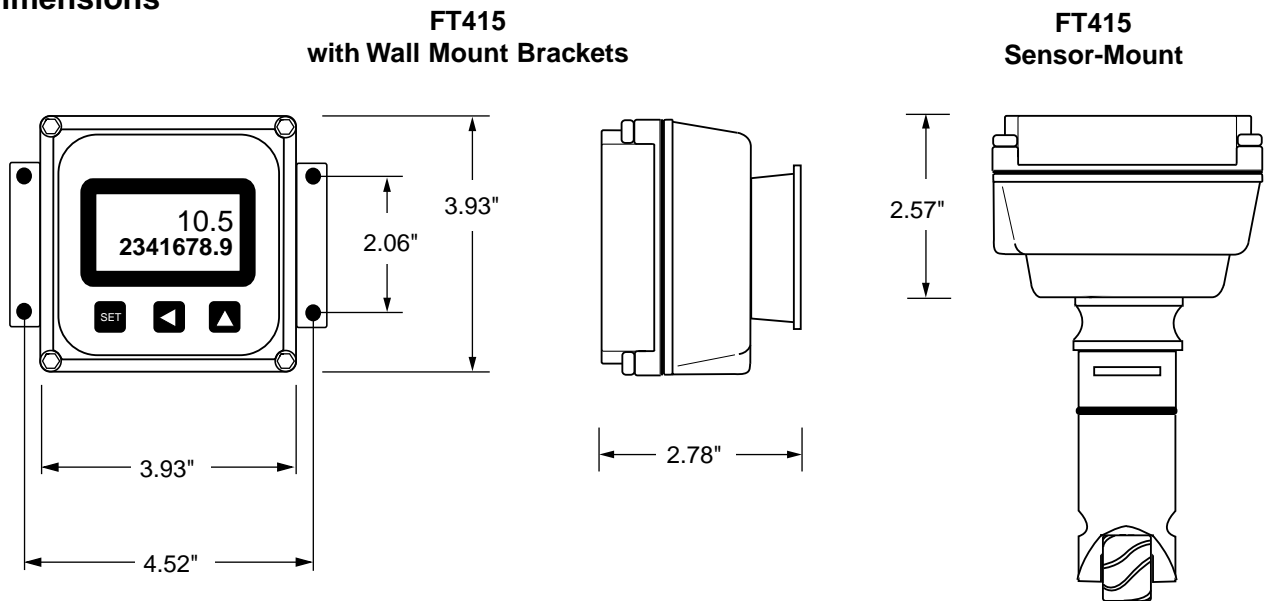
Typical Application



Features



Dimensions



How To Order

Mounting Style: M = premounted on sensor, 100/200 series only
 W = Wall mount

FT415

Note: All FT415 indicators require a micropower sensor. See options when ordering sensor.

Muis Controls Ltd.

10610 - 172 Street, Edmonton, Alberta, Canada, T5S 1H8 ☐
 Phone: 780-486-2400 • Fax: 780-486-2500 • Toll Free: 1-800-661-8823 ☐
 www.muiscontrols.com • email: info@muiscontrols.com