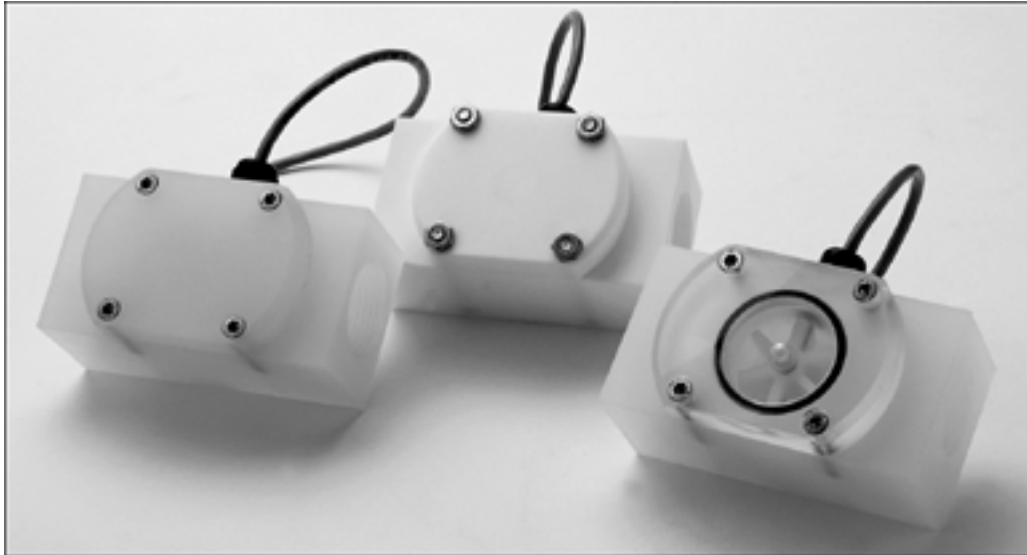


S-Series (SPX, SPT) Low Flow Meter Specifications



General Information

These versatile impeller flowmeters in 3/8" to 1" nominal pipe size employ jewel bearings for very low minimum flows. The 6-24 VDC pulse output of these meters is compatible with many different types of control, including a full range of rate displays and controls. The FT420 provides flow rate and total flow, as well as 4-20 mA output. For metering pump pacing or interfacing with lowspeed counters, the PD10 divider is recommended. The AO55 is a blind 4-20mA transmitter.

S-Series meters are available in 3/8" to 1" nominal sizes. The SPX body material is polypropylene, with transparent acrylic covers for visual flow indication. Polypropylene covers are available as an option.

The SPT is available standard with TFE housing, TFE cover, PVDF rotor, ceramic shaft, choice of o-ring material (EPDM or Viton), and optional silicon carbide shaft.

Specifications

Connections

3/8", 1/2", 3/4", 1"
Female NPT standard,
SAE thread optional

Materials

Body	SPX: Polypropylene, SPT: TFE
Cover	SPX: Acrylic, Polypro optional SPT: TFE
Rotor	PVDF
Shaft	SPX: Nickel tungsten carbide, zirconia ceramic optional SPT: zirconia ceramic, silicon carbide optional

Bearings

Ruby
160° F (70°C)

Max. Temperature

150 PSI (10 bar)

Max. Pressure

±1% FS

Accuracy

Flow Rates

GPM **LPM**

Size

3/8"

0.07 - 5 0.27 - 18.9

1/2"

0.1 - 10 0.38 - 37.9

3/4"

0.2 - 20 0.75 - 75

1"

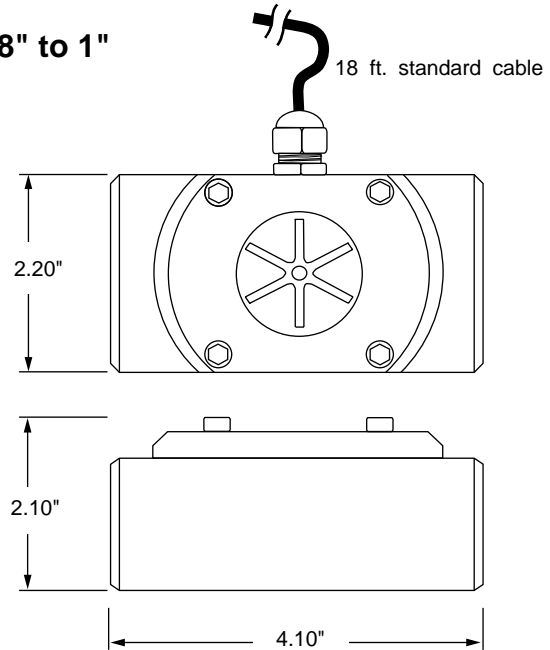
0.5 - 40 1.9 - 150

Field Replaceable Sensor



Dimensions

3/8" to 1"



Nominal K-factors (Pulses per Gallon)

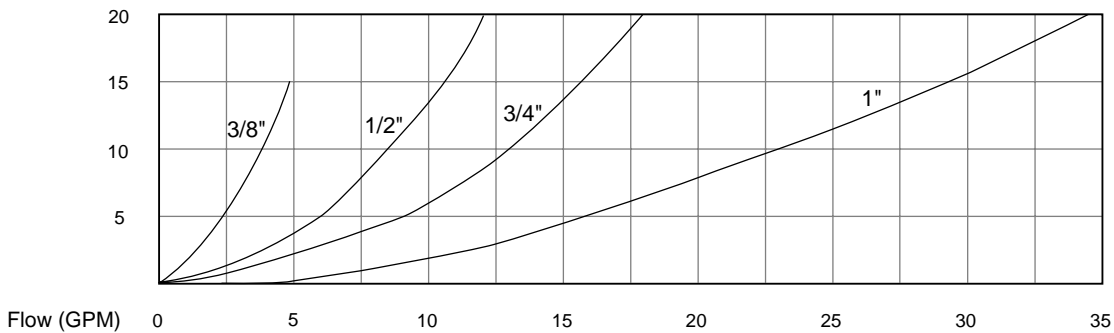
3/8"	1275
1/2"	625
3/4"	445
1"	243

Typical Combinations with SPX

Flow Monitoring:	FT420 Flow Computer
Flow Switch:	FS30 Flow Switch
Analog Output:	AO55 Blind Transmitter
Divider:	PD10 Pulse Divider

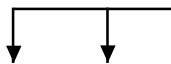
Pressure Drop (PSI)

Pressure Drop: 3/8" - 1"



How To Order

Option codes:



SPX _____

SPT _____

(Place number of option above)

Options:

- 01 Ceramic shaft (SPX)
- 12 Polypro cover (SPX)
- 13 High-resolution rotor (SPX, SPT)
- 06 LMI pump connector
- 07 Control connector
- 68 Silicon carbide shaft (SPT)

Muis Controls Ltd.

10610 - 172 Street, Edmonton, Alberta, Canada, T5S 1H8
 Phone: 780-486-2400 • Fax: 780-486-2500 • Toll Free: 1-800-661-8823
 www.muiscontrols.com • email: info@muiscontrols.com