



Low Cost Bronze
Sight Flow Indicator

163	Base Model Number - 1600 Series Low Cost Bronze	
	Code	Windows and Indicator Type
	0	Double Windows - No Rotor (Plain Type)
	1	Double Windows - With Rotor (Propeller Type)
	2	Single Window - With Rotor (Propeller Type)
	Code	Connection Size
	0125	1/8" NPTF
	0250	1/4" NPTF
	0375	3/8" NPTF
	0500	1/2" NPTF
	0750	3/4" NPTF
	1000	1" NPTF
	1250	1 1/4" NPTF
	1500	1 1/2" NPTF
	2000	2" NPTF
	Code	Seal Material
	BN	Buna-N

163 1 - 2000 - BN ← Typical Model Number

Features

- Bronze construction
- Single or Double Window Design
- Sizes from 1/8" to 2"
- 125 PSIG pressure rating
- Available with or without rotor
- NPTF connections

Flow Monitoring Applications

- Monitor Critical Liquid Fluid Flows
- Lubricant / Coolant Lines
- Bearing Seal Flush Systems
- Sprinkler and Spray Systems
- Monitor Fluid Colour / Clarity
- Confirm Flow Direction

Materials of Construction

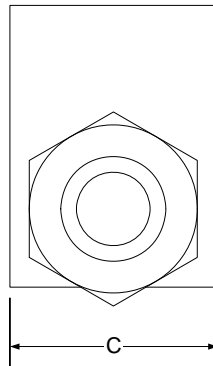
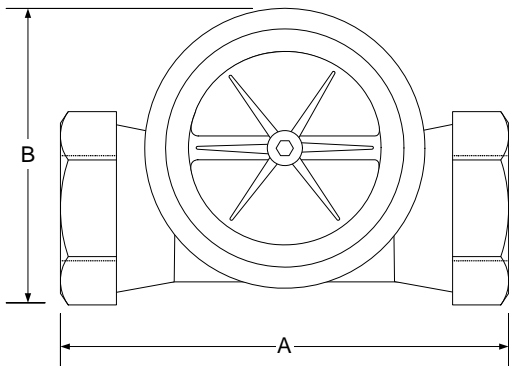
Seals:	Buna-N
Glass Type:	Tempered Soda Lime
Threads:	NPTF
Indicator:	ABS
Body:	Bronze

Pressure & Temperature

Maximum Pressure	Maximum Temperature
125 PSIG (8.6 Barg)	200°F (93°C)

Dimensions

Size	1/8" - 3/8"	1/2" - 3/4"	1" - 1 1/4"	1 1/2" - 2"
A	3 ³ / ₁₆ "	3 ¹³ / ₁₆ "	4 ³ / ₈ "	4 ⁵ / ₈ "
B	2 ¹ / ₈ "	2 ⁷ / ₁₆ "	3 ¹ / ₈ "	4"
C	2 ⁷ / ₃₂ "	2 ⁷ / ₁₆ "	3"	3 ¹³ / ₁₆ "



Also Available from Muis Controls



Battery Powered
Turbine Flow Meters



Precision
Molded
Flow
Indicator



Sight Flow
Indicator

Muis Controls Ltd. - Flow Meters - Flow Controls

29 Riel Drive, St. Albert, Alberta, Canada T8N 5C6
 Ph +1-780-459-7080 Fx +1-780-459-7085 Toll Free 1-800-661-8823
 www.muiscontrols.com info@muiscontrols.com